



EVM-Z  
2D Video Measuring  
Machine



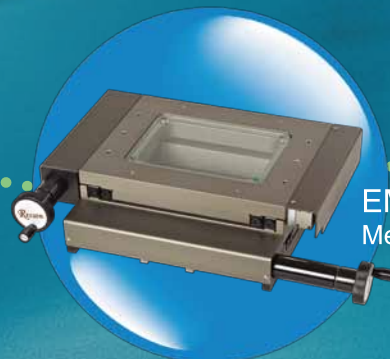
EVM-S  
2D Video Measuring  
Machine



MVM-Z  
Microscope &  
Video Measuring  
Machine



RVM-D  
CNC Video/Probe Composite  
Measuring System



EMT  
Measuring Stage

## Video Measuring System

# EVM 2D Video Measuring Machine

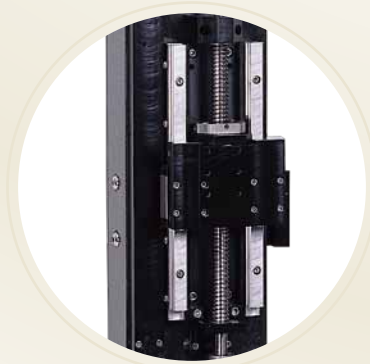
- ◆ EVM series 2D Video Measuring Machines adopt high-resolution Japanese CCD camera, high-accuracy stage and 1um linear encoder as measuring system. Enlarge 23-150 times working pieces and displayed on computer monitor. Very suitable on measuring super accuracy parts and unmeasurable curve.
- ◆ EVM series Z axis column and base adopt precision granites. To ensure dynamic balance and machine hardness and stability.
- ◆ EVM series stage adopt precision crossed roller guideway and Rolling Drive Nut system to ensure stage accuracy and stability.
- ◆ EVM series Z axis drive by linear guideways and ballscrew.
- ◆ EVM series can comply with any geometric measuring software; The result can be output by DXF file to any kind of CAD software like as AUTO-CAD, MASTERCAM. The data can be input to Word or Excel file and save them. Make customers QC,QA works easily.



## Features



The stage adopt precision crossed roller guideway and rolling drive nut system.



The Z axis drive by linear guideways and ballscrew.

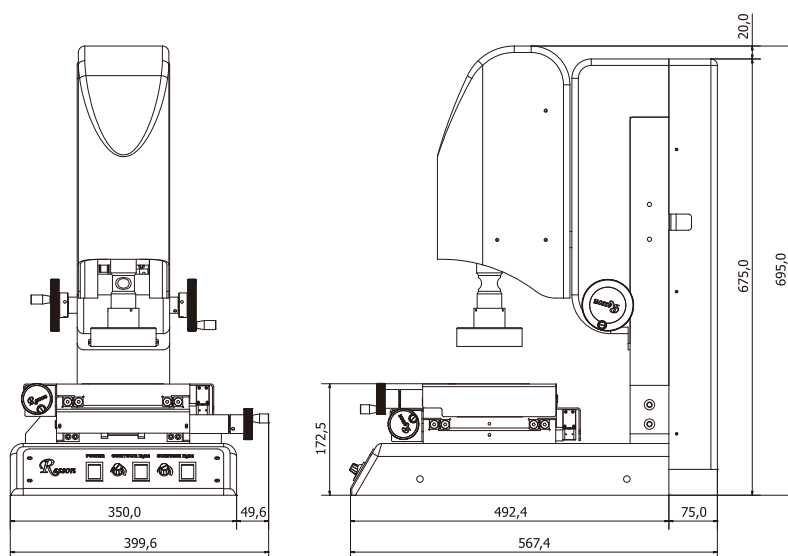


Z axis column and base adopt precision granites.

# EVM-S0505 2D Video Measuring Machine



## Dimensional Diagram



Unit : mm

## Specification

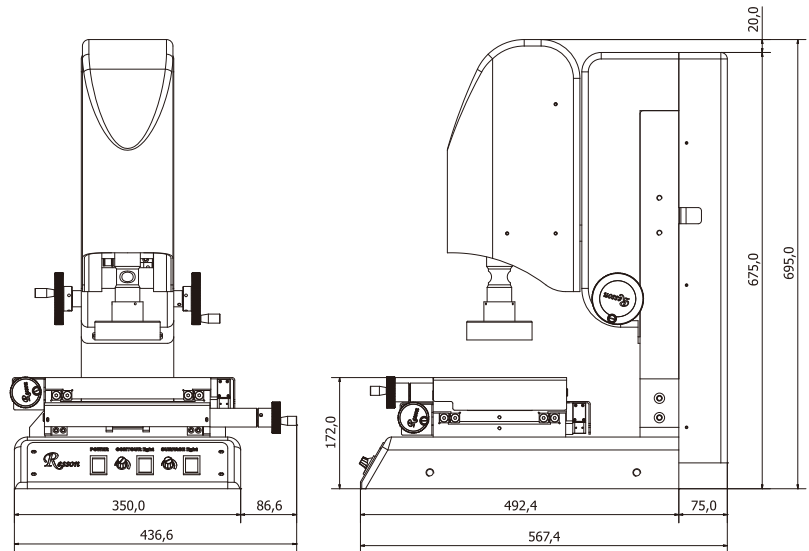
- XYZ Measuring stroke (mm) : 50 x 50 x 100
- Stage surface area (mm) : 206 x 206
- Loading capacity (kg) : 20
- XY Measuring accuracy : 3 + L/50  $\mu$ m
- Stage drive : Adopt Rolling Drive Nut and free movement lever.
- Stage glass : Adopt optical glass and precision grinding process.
- Vision system : Japanese made color high-resolution CCD camera.
- Lens : \*High-resolution Zoom optics Lens(Detent).
- Magnification : 0.7x~4.5x (23x~150x)
- Linear scale : Resson RL471 / 1 $\mu$ m (XYZ)
- Counter : RD-15Q / RS232 output
- Control : Manual
- Software : RVS-250 Image Measuring Quality System
- Power supply : AC115V/230V, 50/60Hz

- ★ Detents : Obtain specific "stops" throughout the zoom range by selecting a body tube with Detents. Typically used in systems where each position requires calibration, detents allow for pre-set stops at 1X, 2X, 3X and 4X on the zoom scale

# EVM-S1005 2D Video Measuring Machine



## Dimensional Diagram



Unit : mm

## Specification

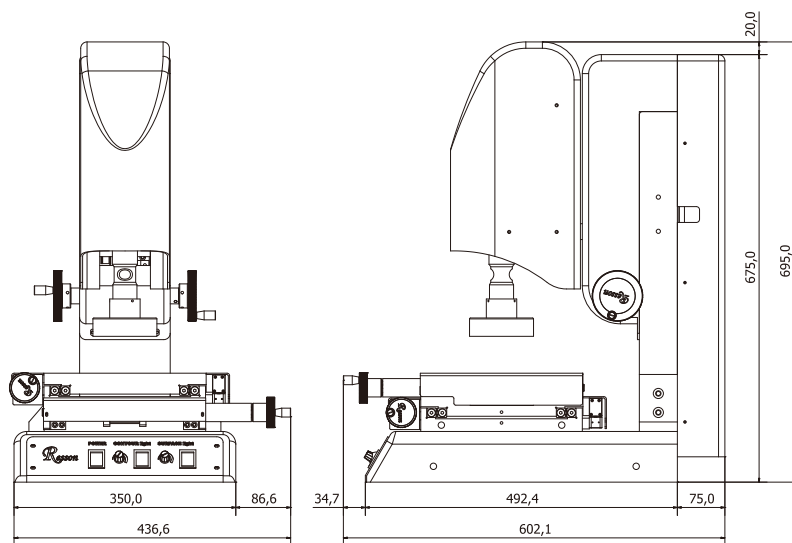
- XYZ Measuring stroke (mm) : 100 x 50 x 100
- Stage surface area (mm) : 256 x 206
- Loading capacity (kg) : 20
- XY Measuring accuracy : 3 + L/50  $\mu$ m
- Stage drive : Adopt Rolling Drive Nut and free movement lever.
- Stage glass : Adopt optical glass and precision grinding process.
- Vision system : Japanese made color high-resolution CCD camera.
- Lens : \*High-resolution Zoom optics Lens(Detent).
- Magnification : 0.7x~4.5x (23x~150x)
- Linear scale : Resson RL471 / 1 $\mu$ m (XYZ)
- Counter : RD-15Q / RS232 output
- Control : Manual
- Software : RVS-250 Image Measuring Quality System
- Power supply : AC115V/230V, 50/60Hz

- ★ Detents : Obtain specific "stops" throughout the zoom range by selecting a body tube with Detents. Typically used in systems where each position requires calibration, detents allow for pre-set stops at 1X, 2X, 3X and 4X on the zoom scale

# EVM-S1010 2D Video Measuring Machine



## Dimensional Diagram



Unit : mm

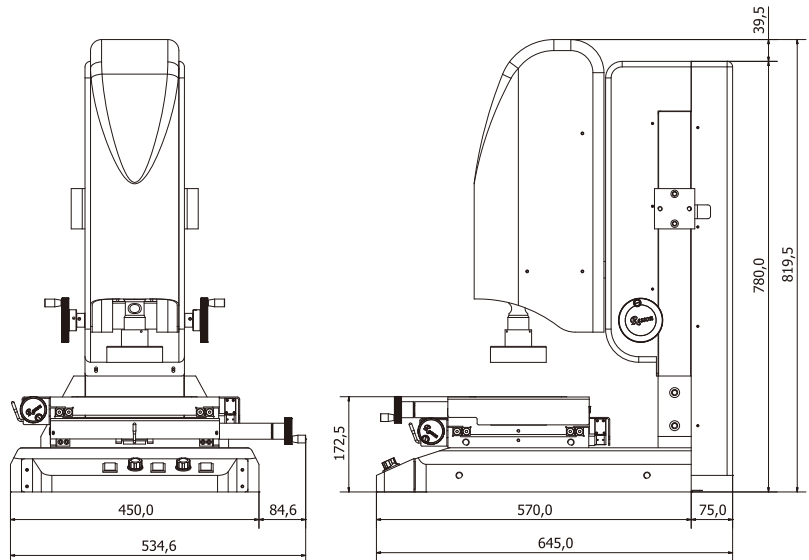
## Specification

- XYZ Measuring stroke (mm) : 100 x 100 x 100
  - Stage surface area (mm) : 256 x 256
  - Loading capacity (kg) : 20
  - XY Measuring accuracy : 3 + L/50  $\mu$ m
  - Stage drive : Adopt Rolling Drive Nut and free movement lever.
  - Stage glass : Adopt optical glass and precision grinding process.
  - Vision system : Japanese made color high-resolution CCD camera.
  - Lens : \*High-resolution Zoom optics Lens(Detent).
  - Magnification : 0.7x~4.5x (23x~150x)
  - Linear scale : Resson RL471 / 1 $\mu$ m (XYZ)
  - Counter : RD-15Q / RS232 output
  - Control : Manual
  - Software : RVS-250 Image Measuring Quality System
  - Power supply : AC115V/230V, 50/60Hz
- ★ Detents : Obtain specific "stops" throughout the zoom range by selecting a body tube with Detents. Typically used in systems where each position requires calibration, detents allow for pre-set stops at 1X, 2X, 3X and 4X on the zoom scale

# EVM-1510 2D Video Measuring Machine



## Dimensional Diagram



Unit : mm

## Specification

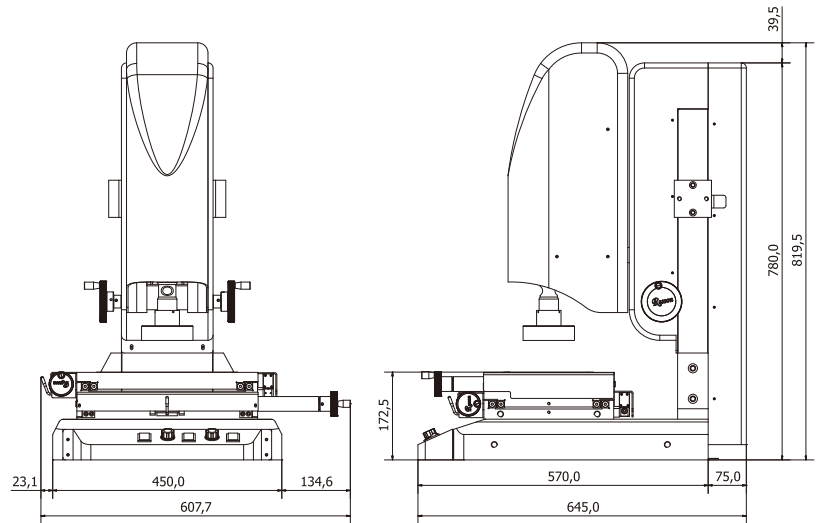
- XYZ Measuring stroke (mm) : 150 x 100 x 200
- Stage surface area (mm) : 306 x 256
- Loading capacity (kg) : 25
- XY Measuring accuracy : 3 + L/50  $\mu$ m
- Stage drive : Adopt Rolling Drive Nut and free movement lever.
- Stage glass : Adopt optical glass and precision grinding process.
- Vision system : Japanese made color high-resolution CCD camera.
- Lens : \*High-resolution Zoom optics Lens(Detent).
- Magnification : 0.7x~4.5x (23x~150x)
- Linear scale : Resson RL471 / 1 $\mu$ m (XYZ)
- Counter : RD-15Q / RS232 output
- Control : Manual
- Software : RVS-250 Image Measuring Quality System
- Power supply : AC115V/230V, 50/60Hz
- Machine Base

- ★ Detents : Obtain specific "stops" throughout the zoom range by selecting a body tube with Detents. Typically used in systems where each position requires calibration, detents allow for pre-set stops at 1X, 2X, 3X and 4X on the zoom scale

# EVM-S2010 2D Video Measuring Machine



## Dimensional Diagram



Unit : mm

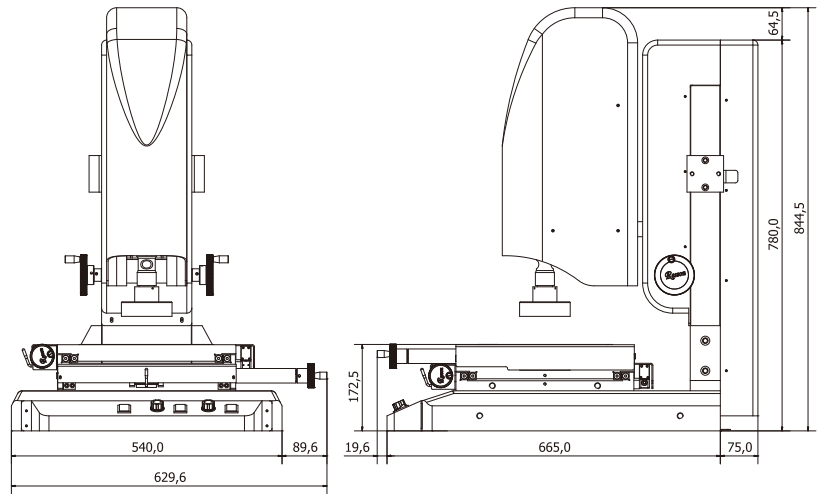
## Specification

- XYZ Measuring stroke (mm) : 200 x 100 x 200
  - Stage surface area (mm) : 356 x 256
  - Loading capacity (kg) : 25
  - XY Measuring accuracy : 3 + L/50  $\mu$ m
  - Stage drive : Adopt Rolling Drive Nut and free movement lever.
  - Stage glass : Adopt optical glass and precision grinding process.
  - Vision system : Japanese made color high-resolution CCD camera.
  - Lens : \*High-resolution Zoom optics Lens(Detent).
  - Magnification : 0.7x~4.5x (23x~150x)
  - Linear scale : Resson RL471 / 1 $\mu$ m (XYZ)
  - Counter : RD-15Q / RS232 output
  - Control : Manual
  - Software : RVS-250 Image Measuring Quality System
  - Power supply : AC115V/230V, 50/60Hz
  - Machine Base
- ★ Detents : Obtain specific "stops" throughout the zoom range by selecting a body tube with Detents. Typically used in systems where each position requires calibration, detents allow for pre-set stops at 1X, 2X, 3X and 4X on the zoom scale

# EVM-S2020 2D Video Measuring Machine



## Dimensional Diagram



Unit : mm

## Specification

- XYZ Measuring stroke (mm) : 200 x 200 x 200
- Stage surface area (mm) : 356 x 356
- Loading capacity (kg) : 30
- XY Measuring accuracy : 4 + L/50  $\mu$ m
- Stage drive : Adopt Rolling Drive Nut and free movement lever.
- Stage glass : Adopt optical glass and precision grinding process.
- Vision system : Japanese made color high-resolution CCD camera.
- Lens : \*High-resolution Zoom optics Lens(Detent).
- Magnification : 0.7x~4.5x (23x~150x)
- Linear scale : Resson RL471 / 1 $\mu$ m (XYZ)
- Counter : RD-15Q / RS232 output
- Control : Manual
- Software : RVS-250 Image Measuring Quality System
- Power supply : AC115V/230V, 50/60Hz
- Machine Base

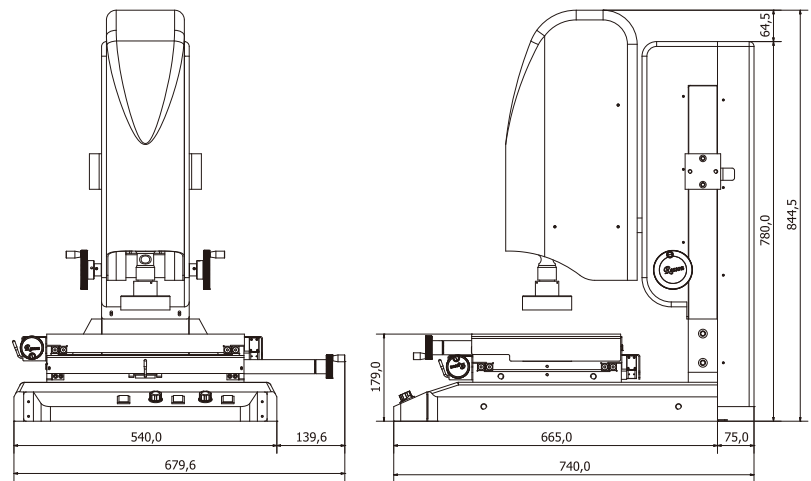
- ★ Detents : Obtain specific "stops" throughout the zoom range by selecting a body tube with Detents. Typically used in systems where each position requires calibration, detents allow for pre-set stops at 1X, 2X, 3X and 4X on the zoom scale



# EVM-S2515 2D Video Measuring Machine



## Dimensional Diagram



Unit : mm

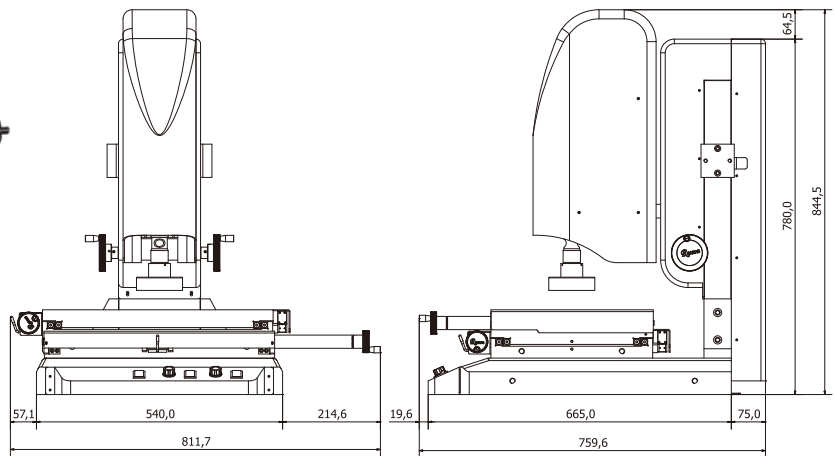
## Specification

- XYZ Measuring stroke (mm) : 250 x 150 x 200
  - Stage surface area (mm) : 406 x 306
  - Loading capacity (kg) : 30
  - XY Measuring accuracy : 4 + L/50  $\mu$ m
  - Stage drive : Adopt Rolling Drive Nut and free movement lever.
  - Stage glass : Adopt optical glass and precision grinding process.
  - Vision system : Japanese made color high-resolution CCD camera.
  - Lens : \*High-resolution Zoom optics Lens(Detent).
  - Magnification : 0.7x~4.5x (23x~150x)
  - Linear scale : Resson RL471 / 1 $\mu$ m (XYZ)
  - Counter : RD-15Q / RS232 output
  - Control : Manual
  - Software : RVS-250 Image Measuring Quality System
  - Power supply : AC115V/230V, 50/60Hz
  - Machine Base
- ★ Detents : Obtain specific "stops" throughout the zoom range by selecting a body tube with Detents. Typically used in systems where each position requires calibration, detents allow for pre-set stops at 1X, 2X, 3X and 4X on the zoom scale

# EVM-S3020 2D Video Measuring Machine



## Dimensional Diagram



Unit : mm

## Specification

- XYZ Measuring stroke (mm) : 300 x 200 x 200
  - Stage surface area (mm) : 506 x 356
  - Loading capacity (kg) : 30
  - XY Measuring accuracy : 4 + L/50  $\mu$ m
  - Stage drive : Adopt Rolling Drive Nut and free movement lever.
  - Stage glass : Adopt optical glass and precision grinding process.
  - Vision system : Japanese made color high-resolution CCD camera.
  - Lens : \*High-resolution Zoom optics Lens(Detent).
  - Magnification : 0.7x~4.5x (23x~150x)
  - Linear scale : Resson RL471 / 1 $\mu$ m (XYZ)
  - Counter : RD-15Q / RS232 output
  - Control : Manual
  - Software : RVS-250 Image Measuring Quality System
  - Power supply : AC115V/230V, 50/60Hz
  - Machine Base
- ★ Detents : Obtain specific "stops" throughout the zoom range by selecting a body tube with Detents. Typically used in systems where each position requires calibration, detents allow for pre-set stops at 1X, 2X, 3X and 4X on the zoom scale



## 2D Video Measuring Machine - Motorized Z-Axis Movement

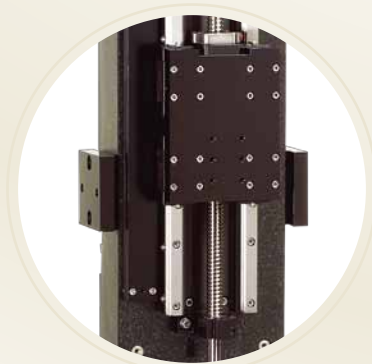
- ◆ The Resson EVM-Z series 2D Video Measuring Machine: Z axis controlled by Japanese made stepper motor and u level fine tune by manual pulse wheel and Resson designed control board.
- ◆ The Z axis transmitted by 2 linear guideways and a ballscrew, and the column and base adopt precise granites. To ensure dynamic balance and machine hardness and stability.
- ◆ The Resson EVM series 2D Video Measuring Machines adopt high-resolution Japanese CCD camera, high-accuracy stage and 1um linear encoder as measuring system. Enlarge 23-150 times working pieces and displayed on computer monitor. Very suitable on measuring super accuracy parts and unmeasurable curve.
- ◆ The Resson EVM series Stages adopt precision crossed roller guideway and Rolling Drive Nut system to ensure stage accuracy and stability.



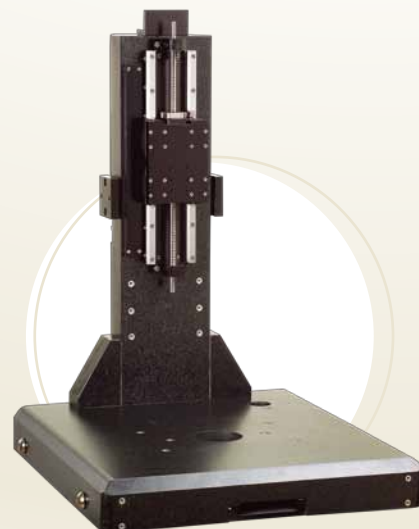
### Features



Motorized Z-Axis Movement by Japanese made stepper motor



The Z axis drive by linear guideways and ballscrew.

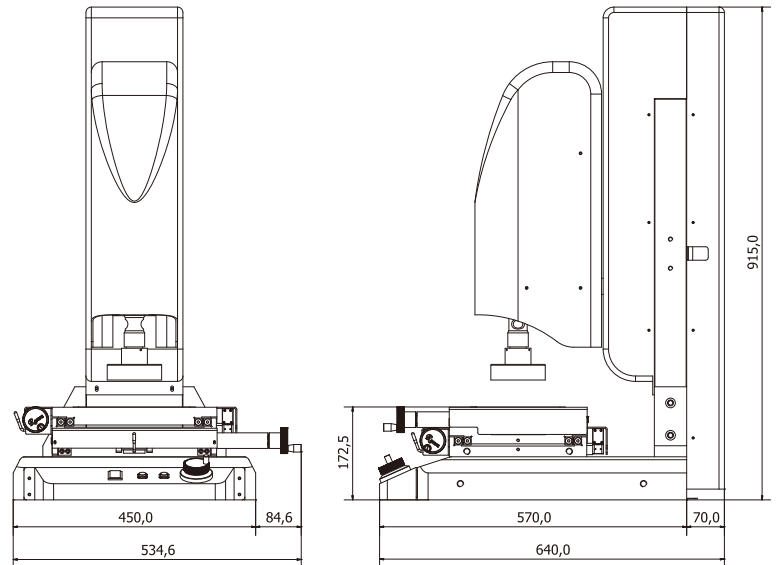


Z axis column and base adopt precision granites.

# EVM-Z1510 2D Video Measuring Machine - Motorized Z-Axis Movement



## Dimensional Diagram



Unit : mm

## Specification

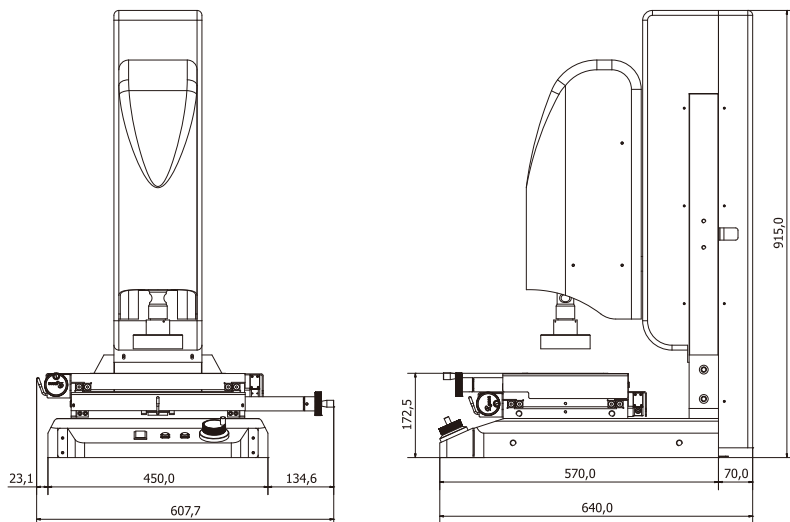
- XYZ Measuring stroke (mm) : 150 x 100 x 200
- Stage surface area (mm) : 306 x 255
- Loading capacity (kg) : 25
- XY Measuring accuracy : 3 + L/50  $\mu$ m
- Stage drive : Adopt Rolling Drive Nut and free movement lever.
- Stage glass : Adopt optical glass and precision grinding process.
- Vision system : Japanese made color high-resolution CCD camera.
- Lens : \*High-resolution Zoom optics Lens(Detent).
- Magnification : 0,7x~4,5x (23x~150x)
- Linear scale : Resson RL471 / 1 $\mu$ m (XYZ)
- Counter : RD-15Q / RS232 output
- XY Control : Manual
- Motorized Z-Axis Movement
- Software : RVS-250 Image Measuring Quality System
- Power supply : AC115V/230V, 50/60Hz
- Machine Base

★ Detents : Obtain specific "stops" throughout the zoom range by selecting a body tube with Detents. Typically used in systems where each position requires calibration, detents allow for pre-set stops at 1X, 2X, 3X and 4X on the zoom scale

# EVM-Z2010 2D Video Measuring Machine - Motorized Z-Axis Movement



## Dimensional Diagram



Unit : mm

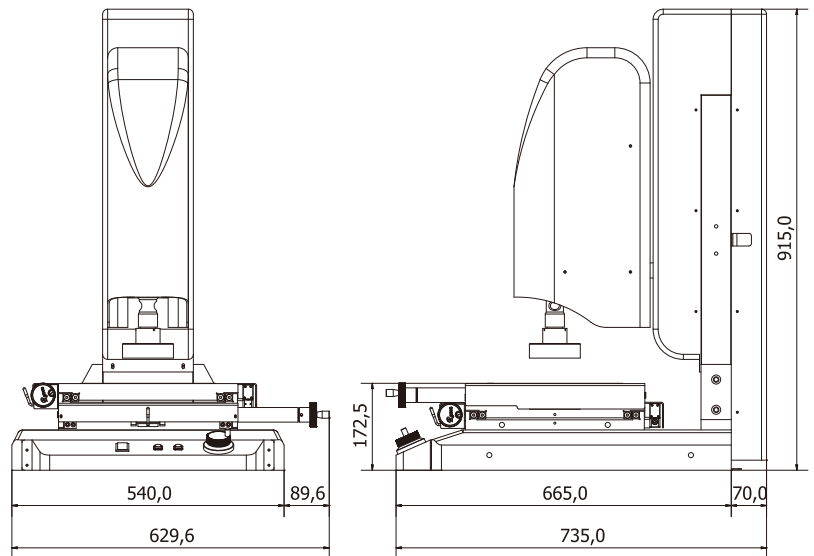
## Specification

- XYZ Measuring stroke (mm) : 200 x 100 x 200
  - Stage surface area (mm) : 355 x 255
  - Loading capacity (kg) : 25
  - XY Measuring accuracy : 3 + L/50  $\mu$ m
  - Stage drive : Adopt Rolling Drive Nut and free movement lever.
  - Stage glass : Adopt optical glass and precision grinding process.
  - Vision system : Japanese made color high-resolution CCD camera.
  - Lens : \*High-resolution Zoom optics Lens(Detent).
  - Magnification : 0.7x~4.5x (23x~150x)
  - Linear scale : Resson RL471 / 1 $\mu$ m (XYZ)
  - Counter : RD-15Q / RS232 output
  - XY Control : Manual
  - Motorized Z-Axis Movement
  - Software : RVS-250 Image Measuring Quality System
  - Power supply : AC115V/230V, 50/60Hz
  - Machine Base
- ★ Detents : Obtain specific "stops" throughout the zoom range by selecting a body tube with Detents. Typically used in systems where each position requires calibration, detents allow for pre-set stops at 1X, 2X, 3X and 4X on the zoom scale

# EVM-Z2020 2D Video Measuring Machine - Motorized Z-Axis Movement



## Dimensional Diagram



Unit : mm

## Specification

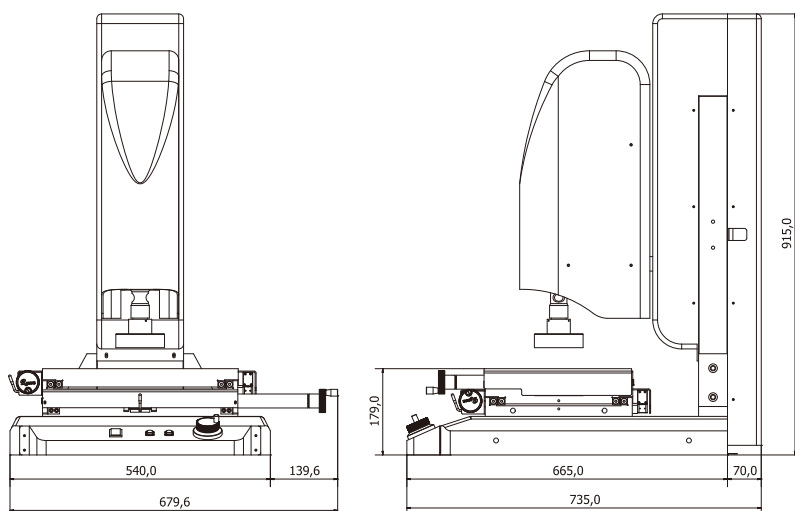
- XYZ Measuring stroke (mm) : 200 x 200 x 200
- Stage surface area (mm) : 355 x 355
- Loading capacity (kg) : 30
- XY Measuring accuracy : 4 + L/50  $\mu$ m
- Stage drive : Adopt Rolling Drive Nut and free movement lever.
- Stage glass : Adopt optical glass and precision grinding process.
- Vision system : Japanese made color high-resolution CCD camera.
- Lens : \*High-resolution Zoom optics Lens(Detent).
- Magnification : 0.7x~4.5x (23x~150x)
- Linear scale : Resson RL471 / 1 $\mu$ m (XYZ)
- Counter : RD-15Q / RS232 output
- XY Control : Manual
- Motorized Z-Axis Movement
- Software : RVS-250 Image Measuring Quality System
- Power supply : AC115V/230V, 50/60Hz
- Machine Base

★ Detents : Obtain specific "stops" throughout the zoom range by selecting a body tube with Detents. Typically used in systems where each position requires calibration, detents allow for pre-set stops at 1X, 2X, 3X and 4X on the zoom scale

# EVM-Z2515 2D Video Measuring Machine - Motorized Z-Axis Movement



## Dimensional Diagram



Unit : mm

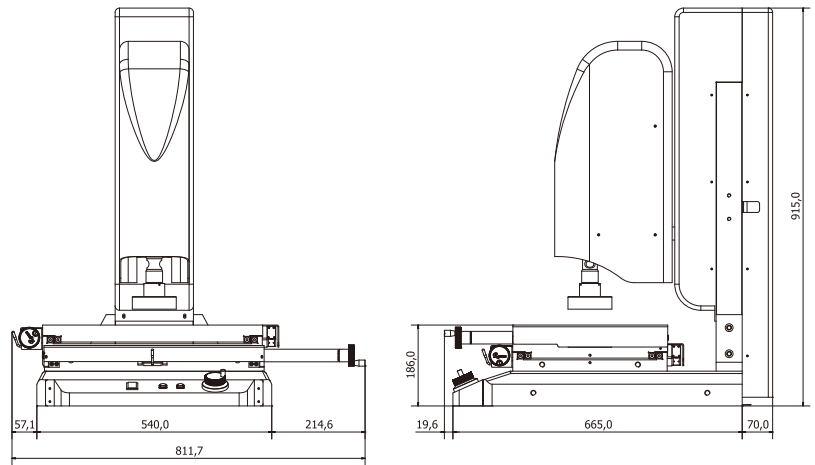
## Specification

- XYZ Measuring stroke (mm) : 250 x 150 x 200
  - Stage surface area (mm) : 405 x 305
  - Loading capacity (kg) : 30
  - XY Measuring accuracy : 4 + L/50  $\mu$ m
  - Stage drive : Adopt Rolling Drive Nut and free movement lever.
  - Stage glass : Adopt optical glass and precision grinding process.
  - Vision system : Japanese made color high-resolution CCD camera.
  - Lens : \*High-resolution Zoom optics Lens(Detent).
  - Magnification : 0.7x~4.5x (23x~150x)
  - Linear scale : Resson RL471 / 1 $\mu$ m (XYZ)
  - Counter : RD-15Q / RS232 output
  - XY Control : Manual
  - Motorized Z-Axis Movement
  - Software : RVS-250 Image Measuring Quality System
  - Power supply : AC115V/230V, 50/60Hz
  - Machine Base
- ★ Detents : Obtain specific "stops" throughout the zoom range by selecting a body tube with Detents. Typically used in systems where each position requires calibration, detents allow for pre-set stops at 1X, 2X, 3X and 4X on the zoom scale

# EVM-Z3020 2D Video Measuring Machine - Motorized Z-Axis Movement



## Dimensional Diagram



Unit : mm

## Specification

- XYZ Measuring stroke (mm) : 300 x 200 x 200
- Stage surface area (mm) : 505 x 305
- Loading capacity (kg) : 30
- XY Measuring accuracy : 4 + L/50  $\mu$ m
- Stage drive : Adopt Rolling Drive Nut and free movement lever.
- Stage glass : Adopt optical glass and precision grinding process.
- Vision system : Japanese made color high-resolution CCD camera.
- Lens : \*High-resolution Zoom optics Lens(Detent).
- Magnification : 0.7x~4.5x (23x~150x)
- Linear scale : Resson RL471 / 1 $\mu$ m (XYZ)
- Counter : RD-15Q / RS232 output
- XY Control : Manual
- Motorized Z-Axis Movement
- Software : RVS-250 Image Measuring Quality System
- Power supply : AC115V/230V, 50/60Hz
- Machine Base

★ Detents : Obtain specific "stops" throughout the zoom range by selecting a body tube with Detents. Typically used in systems where each position requires calibration, detents allow for pre-set stops at 1X, 2X, 3X and 4X on the zoom scale





## Measuring Microscope & Motorized Z-axis

### MVM-Z2515 (Olympus)



#### Specification

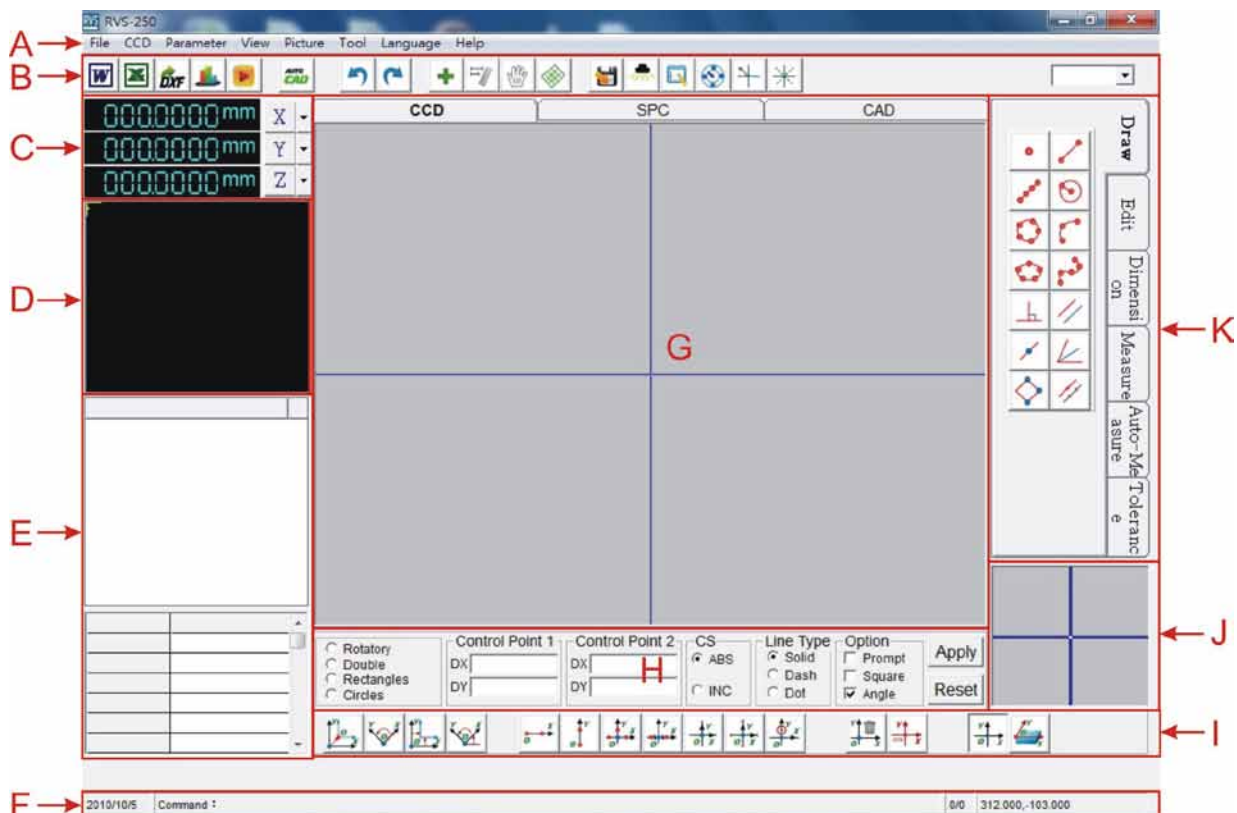
- XYZ Measuring stroke (mm) : 150 x 100 x 200 / MVM-1510Z  
200 x 100 x 200 / MVM-2010Z  
200 x 200 x 200 / MVM-2020Z  
250 x 150 x 200 / MVM-2515Z  
300 x 200 x 200 / MVM-3020Z
- Optional other brands microscope, for example: Nikon, Olympus, Leica .....
- Stage drive : Adopt Rolling Drive Nut and free movement lever.
- Stage glass : Adopt optical glass and precision grinding process.
- Vision system : Japanese made color high-resolution CCD camera.
- Linear scale : Reson RL471 / 1 $\mu$ m (XYZ), RL470 / 0.5 $\mu$ m (option)
- Counter : RD-15Q / RS232 output
- XY Control : Manual
- Motorized Z-Axis Movement
- Software : RVS-250 Image Measuring Quality System
- Power supply : AC115V/230V, 50/60Hz
- Machine Base

# RVS-250 RVS-250 Image Measuring System

RVS-250 Image Measuring System incorporates machine vision, precision optical machines, precision measurement algorithm and many other technologies. It is widely used for product development in diverse fields such as: electronics, military engineering, tooling, rubber, plastic, hardware, tools, springs, automobile industries and education, scientific research community.

- ◆ RVS-250 Image Measuring System supports Windows 2000/XP traditional and simplified Chinese, and or English operating systems.
- ◆ Powerful and comprehensive 2D geometric metrological function.
- ◆ Suitable for batch production and efficient detection of complex dimensions; speedy, precise and quality-assured.
- ◆ Provides image acquisition, contrast, correction, compensation, automatic boundary detection, automatic access point, smart learning and other functions.
- ◆ Features memory, learning, and editing functions for measurement of repeated work pieces; fast and accurate on-site measurement.
- ◆ Software measurement can be output to Microsoft Word, Excel with additional information such as: company name and other background information. It can also synchronize with AutoCAD dynamic transmission. In order for the above software functions to be supported, pre-installation of Microsoft Office and AutoCAD software on the host computer is necessary.

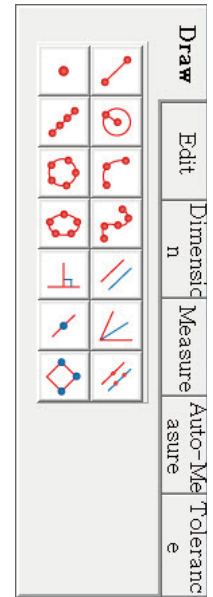
## Interface Layout



- |                                |                                      |                                    |
|--------------------------------|--------------------------------------|------------------------------------|
| A. Menu Bar                    | E. Image-cell data area              | I. Coordinate Setting Tools Panel  |
| B. Hot key                     | F. User command prompt area          | J. Graphic Magnification Window    |
| C. Linear Encoder display area | G. Image display and drawing and SPC | K. Measuring & Drawing Tools Panel |
| D. Whole graph display area    | H. Cross-Line Function Panel         |                                    |

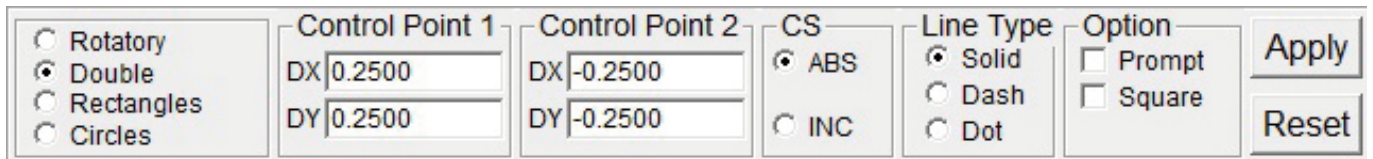
## Complete 2D Geometric Measuring Function

Basic geometric factors: point, line, circle, arc, curve and continual line.  
 Auto Measurements: Marquee Line, Marquee Circle, Marquee Ellipse, Marquee Arc...

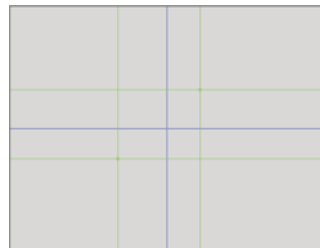


## Cross-Line Function

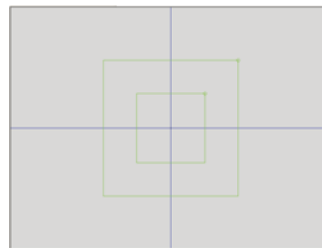
Supporting Cross Lines for the work piece are suitable for rapid calibration measurements. Secure the work piece using a rule first, and then compare or adjust the work piece image with the cross-line in the graphic measurement window. Eligibility of the work piece can be determined with speed.



Rotational Cross Line



Dual Cross Line



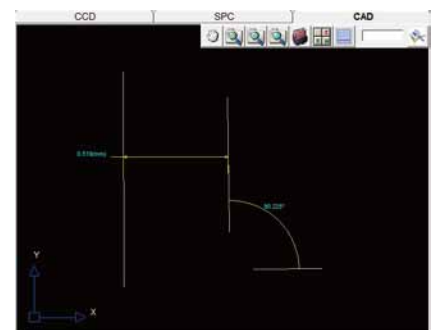
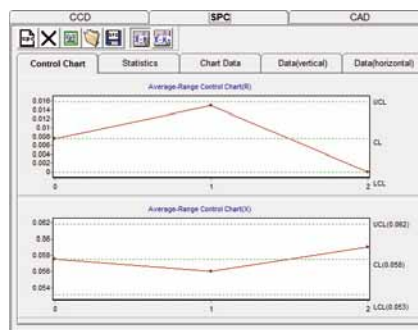
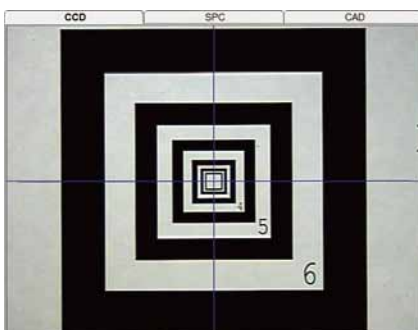
Double Rectangular Cross Line



Double Circular Cross Line

## Image display and drawing and SPC

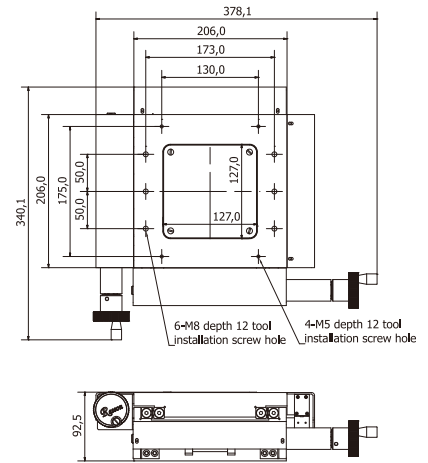
This area includes three different modes of visual data: Graphics, Statistical Data and CAD; you can click on the title above to switch between different modes.



## EMT-0505 Stage

Dimensional Diagram / Unit:mm

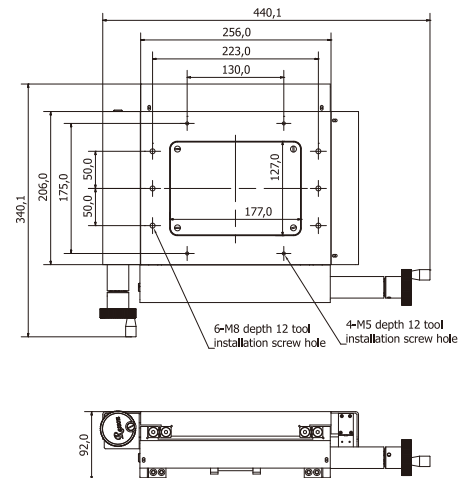
- Stroke(mm) : 50 x 50
- Surface area(mm) : 206 x 206
- Loading capacity (kg) : 20
- Measuring accuracy : 3 + L/50  $\mu$ m
- Linear scale : Resson RL471 / 1 $\mu$ m
- Counter : RD-17 / RS232 and USB output
- Drive : Rolling Drive Nut
- Stage glass : optical glass and precision grinding process.



## EMT-1005 Stage

Dimensional Diagram / Unit:mm

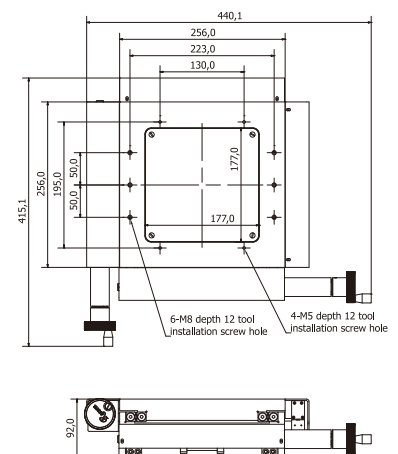
- Stroke(mm) : 100 x 50
- Surface area(mm) : 256 x 206
- Loading capacity (kg) : 20
- Measuring accuracy : 3 + L/50  $\mu$ m
- Linear scale : Resson RL471 / 1 $\mu$ m
- Counter : RD-17 / RS232 and USB output
- Drive : Rolling Drive Nut
- Stage glass : optical glass and precision grinding process.



## EMT-1010 Stage

Dimensional Diagram / Unit:mm

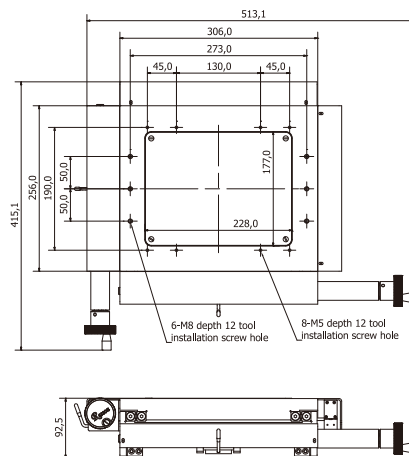
- Stroke(mm) : 100 x 100
- Surface area(mm) : 256 x 256
- Loading capacity (kg) : 20
- Measuring accuracy : 3 + L/50  $\mu$ m
- Linear scale : Resson RL471 / 1 $\mu$ m
- Counter : RD-17 / RS232 and USB output
- Drive : Rolling Drive Nut
- Stage glass : optical glass and precision grinding process.



## EMT-1510 Stage

Dimensional Diagram / Unit:mm

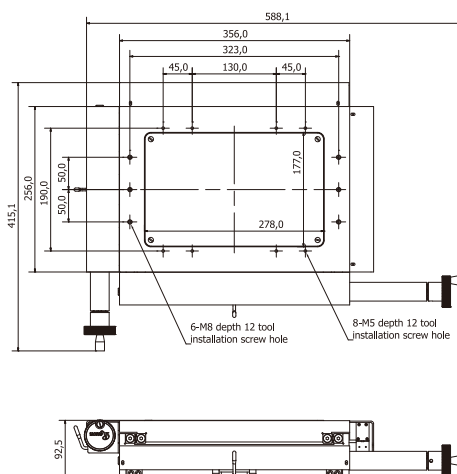
- Stroke(mm) : 150 x 100
- Surface area(mm) : 306 x 256
- Loading capacity (kg) : 25
- Measuring accuracy :  $3 + L/50 \mu\text{m}$
- Linear scale : Resson RL471 /  $1\mu\text{m}$
- Counter : RD-17 / RS232 and USB output
- Drive : Rolling Drive Nut and free movement lever.
- Stage glass : optical glass and precision grinding process.



## EMT-2010 Stage

Dimensional Diagram / Unit:mm

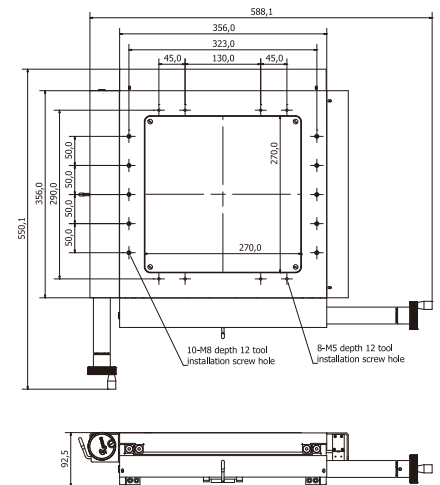
- Stroke(mm) : 200 x 100
- Surface area(mm) : 356 x 256
- Loading capacity (kg) : 25
- Measuring accuracy :  $3 + L/50 \mu\text{m}$
- Linear scale : Resson RL471 /  $1\mu\text{m}$
- Counter : RD-17 / RS232 and USB output
- Drive : Rolling Drive Nut and free movement lever.
- Stage glass : optical glass and precision grinding process.



## EMT-2020 Stage

Dimensional Diagram / Unit:mm

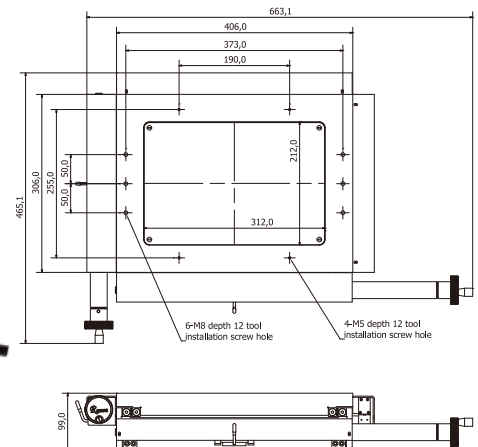
- Stroke(mm) : 200 x 200
- Surface area(mm) : 356 x 356
- Loading capacity (kg) : 30
- Measuring accuracy :  $4 + L/50 \mu\text{m}$
- Linear scale : Resson RL471 /  $1\mu\text{m}$
- Counter : RD-17 / RS232 and USB output
- Drive : Rolling Drive Nut and free movement lever.
- Stage glass : optical glass and precision grinding process.



## EMT-2515 Stage

Dimensional Diagram / Unit:mm

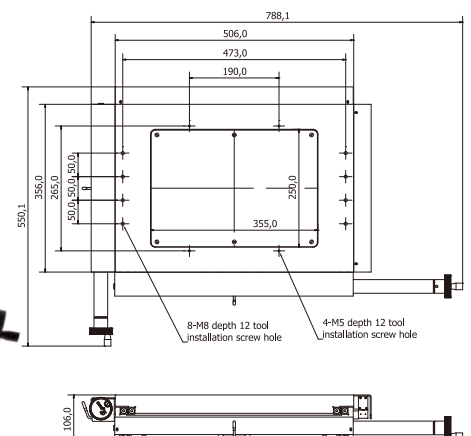
- Stroke(mm) : 250 x 150
- Surface area(mm) : 406 x 306
- Loading capacity (kg) : 30
- Measuring accuracy :  $4 + L/50 \mu\text{m}$
- Linear scale : Resson RL471 /  $1\mu\text{m}$
- Counter : RD-17 / RS232 and USB output
- Drive : Rolling Drive Nut and free movement lever.
- Stage glass : optical glass and precision grinding process.



## EMT-3020 Stage

Dimensional Diagram / Unit:mm

- Stroke(mm) : 300 x 200
- Surface area(mm) : 506 x 356
- Loading capacity (kg) : 30
- Measuring accuracy :  $4 + L/50 \mu\text{m}$
- Linear scale : Resson RL471 /  $1\mu\text{m}$
- Counter : RD-17 / RS232 and USB output
- Drive : Rolling Drive Nut and free movement lever.
- Stage glass : optical glass and precision grinding process.



## Machine Base



Combination



All-in one

## RV-DL01 Double Cross-Line LCD

- Monitor Resolution is 1024x768 pixels
- Double cross line takes 1 pixel only, Make user can do measurement more precisely.
- Double cross line can be moved by any direction button.
- MENU button can change monitor general setting such as bright, contrast, color.
- Cross line color can be white, red, yellow, purple, depends on need.
- Single cross line is available.
- Received S-VIDEO and BNC signal is available.
- With EDGE examining function.



## RD-15Q Measuring System Specification

- Axes: X、Y、Z axes linear encoder
- Resolution: 0.001mm(X、Y、Z axes)/0.01° degree
- Error Comp: Linear / non-linear compensation
- I/O Interface: RS-232C I/O interface computer or printer
- Geometric Measurement Functions:
  - points measurement
  - 2 points form a line measurement
  - 3 points circle measurement (9 points)
  - 2 points distance measurement
  - 2 lines intersection measurement
  - 4 points line intersection measurement skew coordinate functions
  - point line perpendicular projection

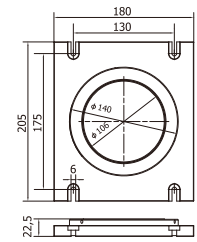
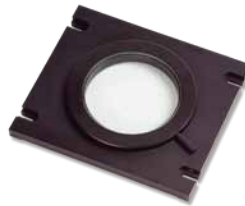


Remoter Controller

## RRT-100 Rotary Tables

Dimensional Diagram / Unit:mm

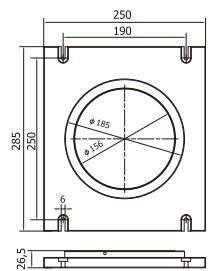
- Effective dia : 100mm
- Fit Models : EMT-0505, EMT-1005, EMT-1010, EMT-1510, EMT-2010



## RRT-150 Rotary Tables

Dimensional Diagram / Unit:mm

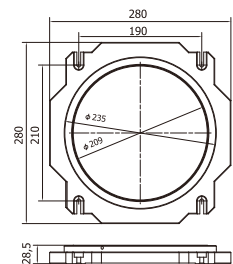
- Effective dia : 150mm
- Fit Models : EMT-2515



## RRT-200A Rotary Tables

Dimensional Diagram / Unit:mm

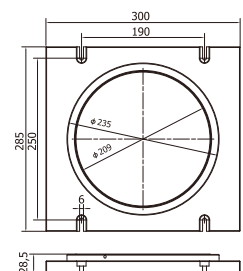
- Effective dia : 200mm
- Fit Models : EMT-2010



## RRT-200B Rotary Tables

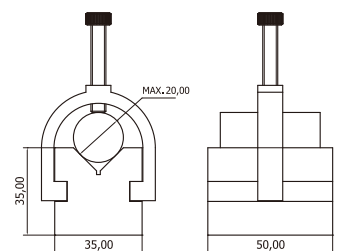
Dimensional Diagram / Unit:mm

- Effective dia : 200mm
- Fit Models : EMT-2515, EMT-3020



## RV-2 V-block with Clamp

Dimensional Diagram / Unit:mm

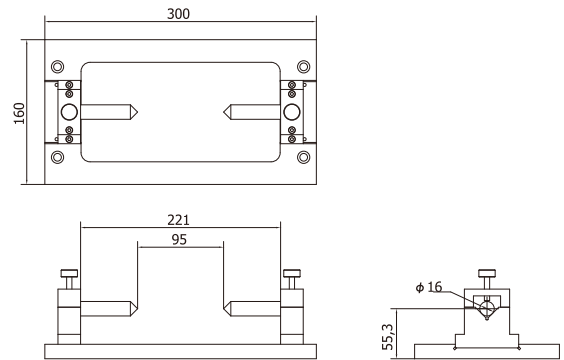




## RMD-150A Swivel Center Support

Dimensional Diagram / Unit:mm

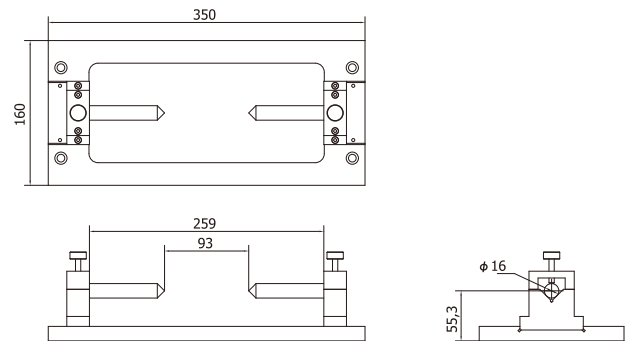
- Workpiece diameter 100mm max.
- Workpiece length 95mm~250mm max.
- Fit Models : EMT-1510



## RMD-200A Swivel Center Support

Dimensional Diagram / Unit:mm

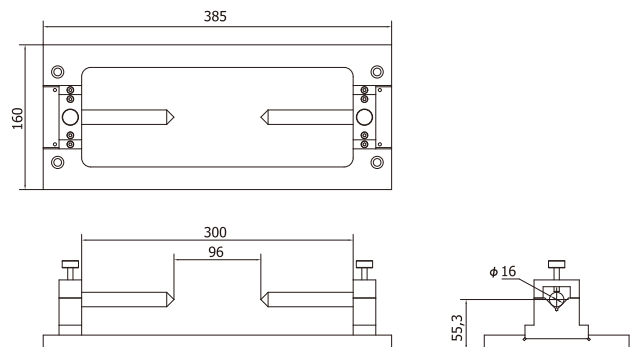
- Workpiece diameter 100mm max.
- Workpiece length 95mm~300mm max.
- Fit Models : EMT-2010



## RMD-250A Swivel Center Support

Dimensional Diagram / Unit:mm

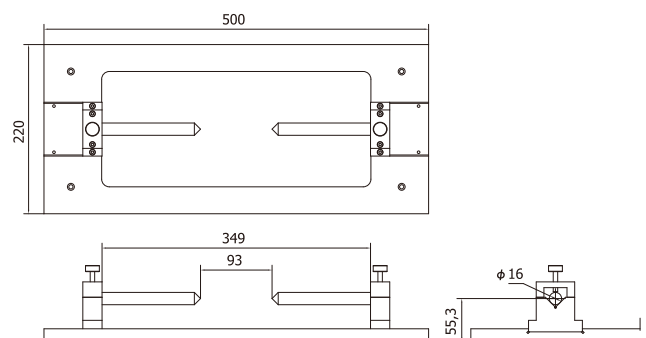
- Workpiece diameter 100mm max.
- Workpiece length 95mm~335mm max.
- Fit Models : EMT-2515



## RMD-300A Swivel Center Support

Dimensional Diagram / Unit:mm

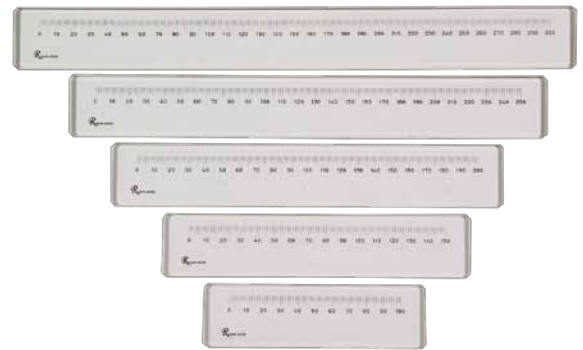
- Workpiece diameter 100mm max.
- Workpiece length 95mm~450mm max.
- Fit Models : EMT-3020



## Working Standard Scales (100mm~500mm / 0.5mm)

- High precision glass scales manufactured under Resson's leading edge Linear Scale production technology.
- Ideal for checking magnification accuracy of profile projectors and microscopes, and the stage accuracy of measuring equipment.
- Elegant wooden box package

Order No.	Range	Graduation	Thickness	Accuracy ±	Dimension (LxWxH)
RS050100	100mm	0.5mm	0.05mm	1.7μm	130x36x5mm
RS050150	150mm	0.5mm	0.05mm	1.8μm	180x36x5mm
RS050200	200mm	0.5mm	0.05mm	1.9μm	230x36x5mm
RS050250	250mm	0.5mm	0.05mm	2.0μm	280x36x5mm
RS050300	300mm	0.5mm	0.05mm	2.1μm	330x36x5mm
RS050400	400mm	0.5mm	0.05mm	2.3μm	430x36x5mm
RS050500	500mm	0.5mm	0.05mm	2.5μm	530x36x5mm



## Working Standard Scales (600mm~1000mm / 1mm)

- Specially designed for checking the magnified image of a standard scale on the projection screen.
- Elegant wooden box package

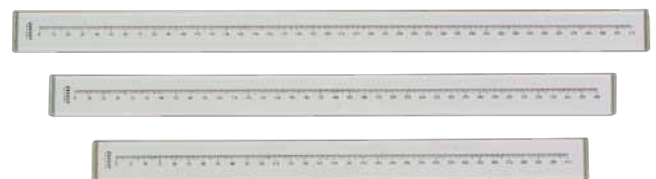
Order No.	Range	Graduation	Thickness	Accuracy ±	Dimension (LxWxH)
RS100600	600mm	1mm	0.1mm	2.7μm	630x36x5mm
RS100700	700mm	1mm	0.1mm	2.9μm	730x36x5mm
RS100800	800mm	1mm	0.1mm	3.1μm	830x36x5mm
RS100900	900mm	1mm	0.1mm	3.3μm	930x36x5mm
RS101000	1000mm	1mm	0.1mm	3.5μm	1030x36x5mm



## Reading Scales

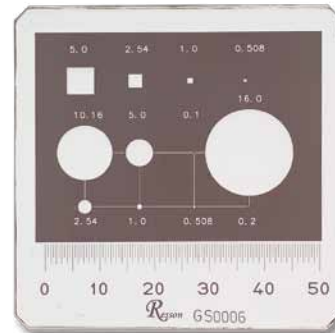
- Specially designed for checking the magnified image of a standard scale on the projection screen.
- Elegant wooden box package

Order No.	Range	Graduation	Accuracy ±	Dimension (LxWxH)
GS010310	310mm	0.5mm	20 μm	340x28x4.5mm
GS010360	360mm	0.5mm	20 μm	390x28x4.5mm
GS010410	410mm	0.5mm	20 μm	440x28x4.5mm



## Magnification Checking Plate

- Used on checking profile projectors or microscopes lens magnification rate.
- Accuracy : 0.002mm
- Elegant wooden box package
- Order No : GS000006



## Dot-matrix Checking Plate

- High precision glass manufactured
- Elegant wooden box package
- Order No : GS000007



## Teaching Plate

- High precision glass manufactured
- Elegant wooden box package
- Order No : GS000008





## **Resson Technologies Co., Ltd.**

5F-3, No.12, Lane 609, Sec. 5, Chongxin Rd.,  
Sanchong Dist., New Taipei City 24159,  
Taiwan, R.O.C.

TEL : 886-2-2995-7096

FAX : 886-2-2999-1552

E-MAIL : [sales@resson.com.tw](mailto:sales@resson.com.tw)

[http : //www.resson.com.tw](http://www.resson.com.tw)  
[www.easson.com.tw](http://www.easson.com.tw)

Distributor :